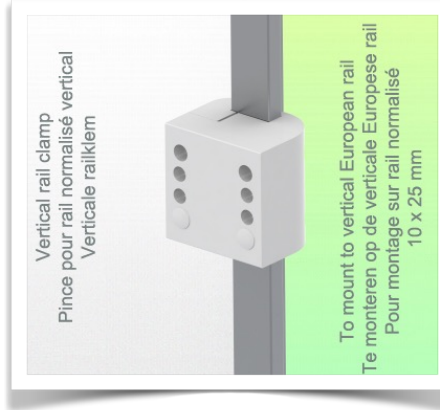
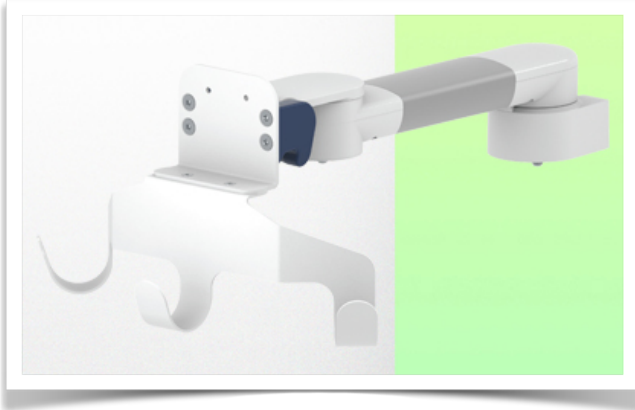


Presentation

Part Number: WM 280.112

300 mm Horizontal Medical Arm for Monitoring Philips Intellivue MP2/X2/X3 Série, Din rail mount Vertical. mounting with power cable hook

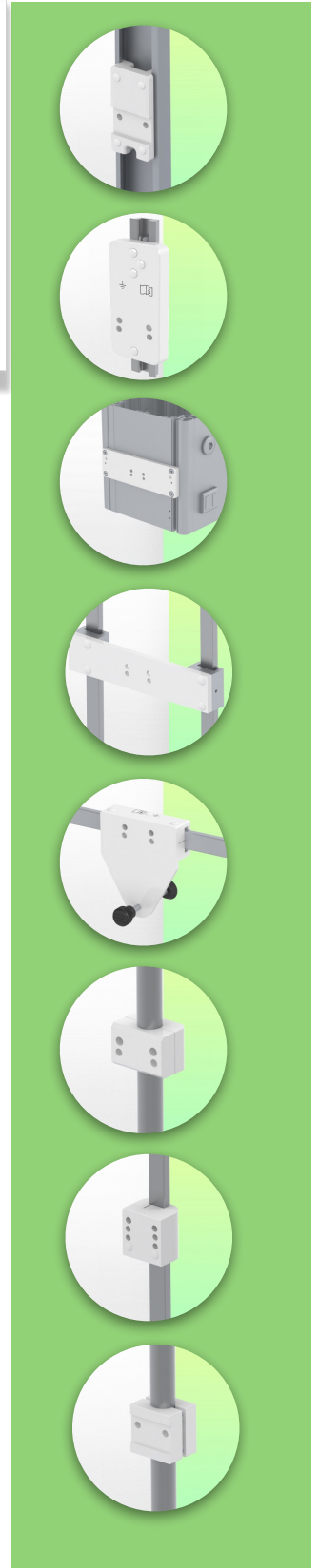


300 mm Horizontal Medical Arm for Monitoring Philips Intellivue MP2/X2/X3 Série, Din rail mount Vertical. mounting with power cable hook

This 300 mm Horizontal Arm allows the monitor to be fixed, oriented and adjusted perfectly. It is coated with an anti-microbial agent to ensure hygiene and cleanliness down to the smallest detail. Its modern design has been specially developed for healthcare environments.

Technical specifications:

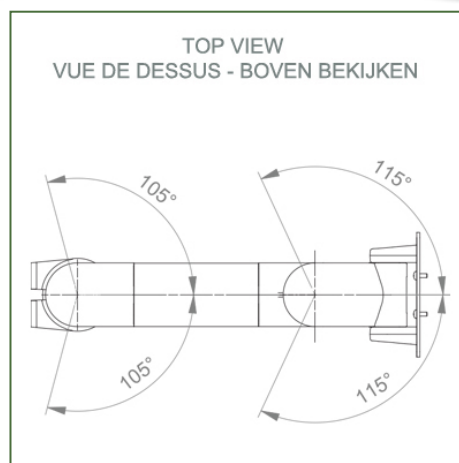
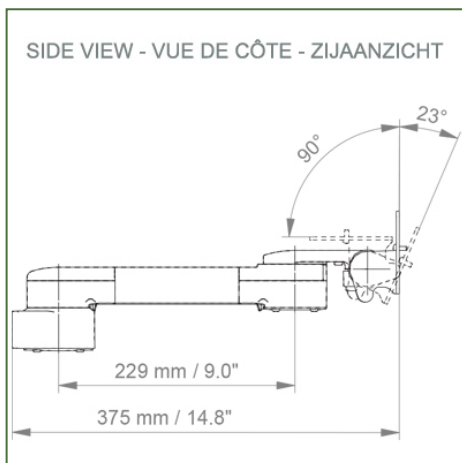
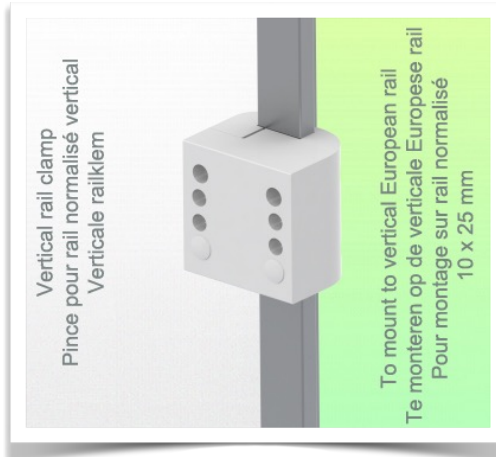
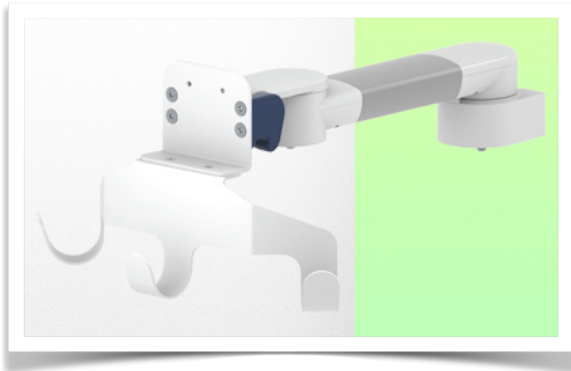
- * Din Vertical Rail mounting Universal clamp included (10 x 25 mm, 8 x 35 mm, 10 x 30 mm, 10 x 50 mm)
 - * This medical arm simply attaches to the Din Vertical Rail and then adjusts to the rail and clamps with the two grips. There is no height adjustment.
 - * The head of this arm complies with the mounting standard for Philips Intellivue MP2/X2/X3 series monitors weighing up to 18 kg.
 - * Monitor tilt: 23° down and 90° up
 - * Monitor rotation: 115° right, 115° left.
 - * Arm rotation: 105° right, 105° left.
 - * Total length: 462 mm
- Colour: RAL 5013 cobalt blue and RAL 9016 traffic white
- * Warranty: 5 years



Technical specifications

Part Number: WM 280.112

300 mm Horizontal Medical Arm for Monitoring Philips Intellivue MP2/X2/X3 Série, Din rail mount Vertical. mounting with power cable hook



Monitor fitting: Philips Intellivue MP2/X2/X3 Series

Colour: Decorative parts: RAL 5013 cobalt blue

Aluminium parts: RAL 9016 traffic white

Max. load capacity of support arm: 18 kg

Monitor fitting max. load: 18 Kg

Product weight: 2,2 Kg

Product strengths:

Non-height-adjustable arm. Swivel arms and extended swivel arms offer full cable integration and easy cleaning for infection control in all critical care areas of the clinical environment. Our 5-year guarantee ensures reliable, trouble-free and maintenance-free operation. The swivel function at the point of attachment and the tilt and swivel function of the monitor adaptation provide optimum positioning of your unit. The extended swivel arm is a two-part arm with a central pivot point between the two arm sections. All bottom-mounted monitors have the safety feature of a 20° tilt stop.



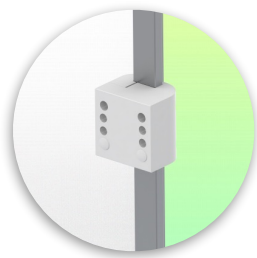
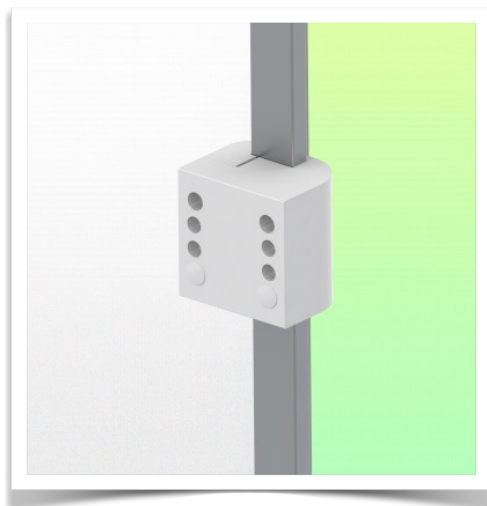
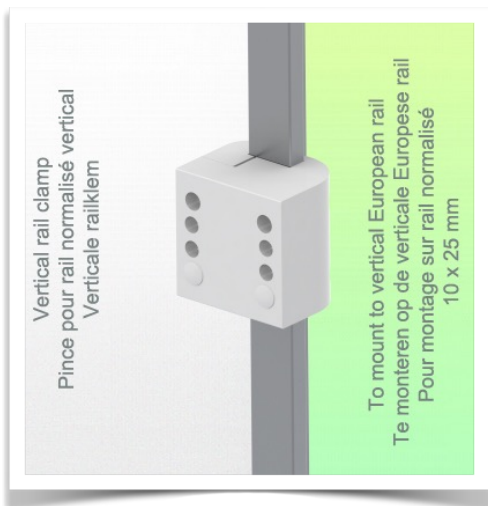
Installation information - Din Rail Vertical standard

Part Number: WM 280.112

300 mm Horizontal Medical Arm for Monitoring Philips Intellivue MP2/X2/X3 Série, Din rail mount Vertical. mounting with power cable hook

Din Vertical Rail:

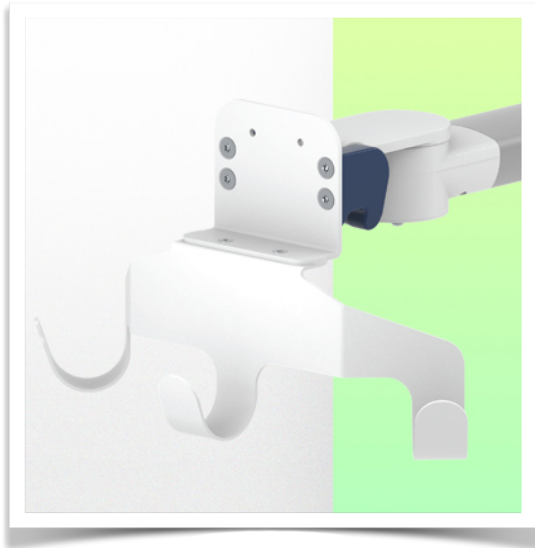
Fixed clamp for standard rail For mounting on a vertical standard rail 10 x 25 mm



Presentation

Part Number: WM 280.112

300 mm Horizontal Medical Arm for Monitoring Philips Intellivue MP2/X2/X3 Série, Din rail mount Vertical. mounting with power cable hook



Philips Intellivue MP 2 / X2 / X3 series monitoring adapter

All our medical arms can be fitted with this adaptation, some illustrations of which can be found here

