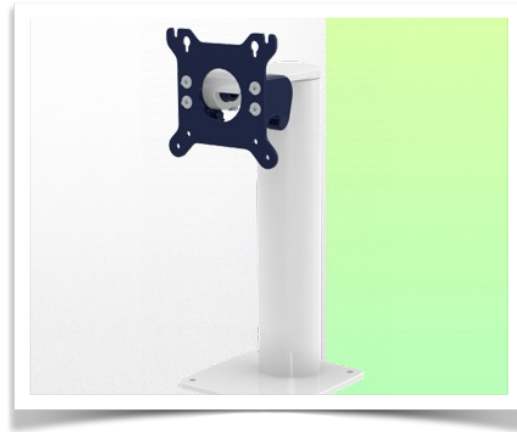
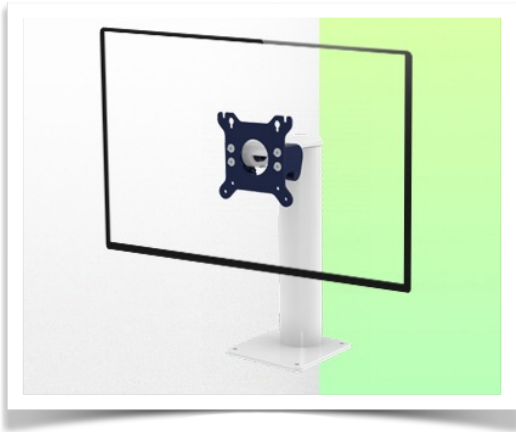


**Presentation**

**Part Number: WM 333.100**

**Medical stand for Vesa 75/100 mm screen to be fixed on worktop or medical trolley  
Height 220 mm**



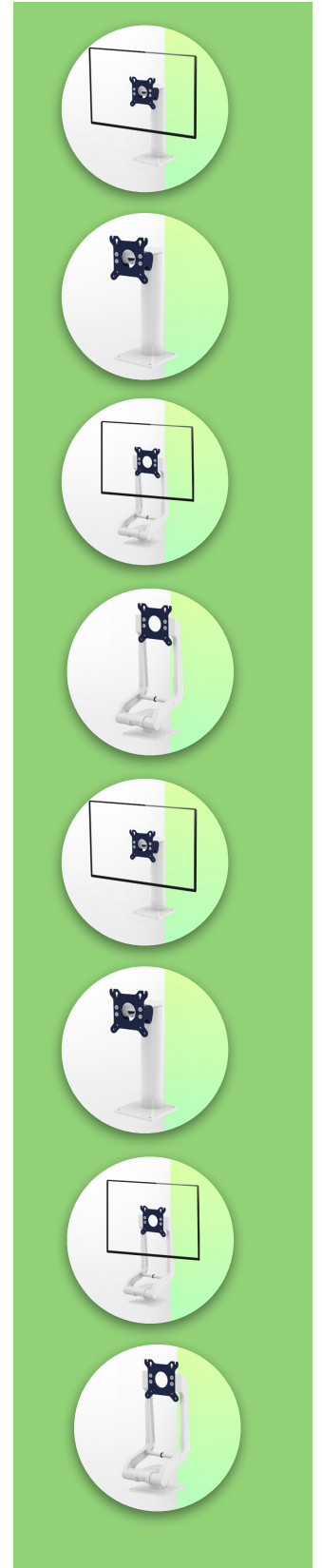
**Medical stand for Vesa 75/100 mm screen to be fixed on worktop or medical trolley. Height 220 mm**

This 220 mm high medical monitor stand allows you to perfectly orient and position your monitor. It is coated with an anti-microbial agent offering hygiene and cleaning in every detail. Easy to install on any surface (work surface, medical trolley). Ideal when you have very little space available for your screen.

**Technical specifications:**

- \* Integrated cable management
- \* Rectangular base with a small footprint 130 x 136 mm
- \* Fixing to the work surface with four screws ( Ø 0,65 mm x 4 )
- \* Screen mounting standard: VESA MIS-D 75 mm and 100 mm.
- \* Compatible with screens weighing up to 18 kg.
- \* Touch screen stability.
- \* Screen tilt: 90° backwards and 30° forwards
- \* Screen head rotation: 35° right, 35° left.
- \* Total height with head 278 mm
- \* Stand height: 220 mm
- \* Compatible with multimedia terminals (TMM)
- \* Colour RAL 5013 cobalt blue and RAL 9016 traffic white
- \* Warranty: 5 years

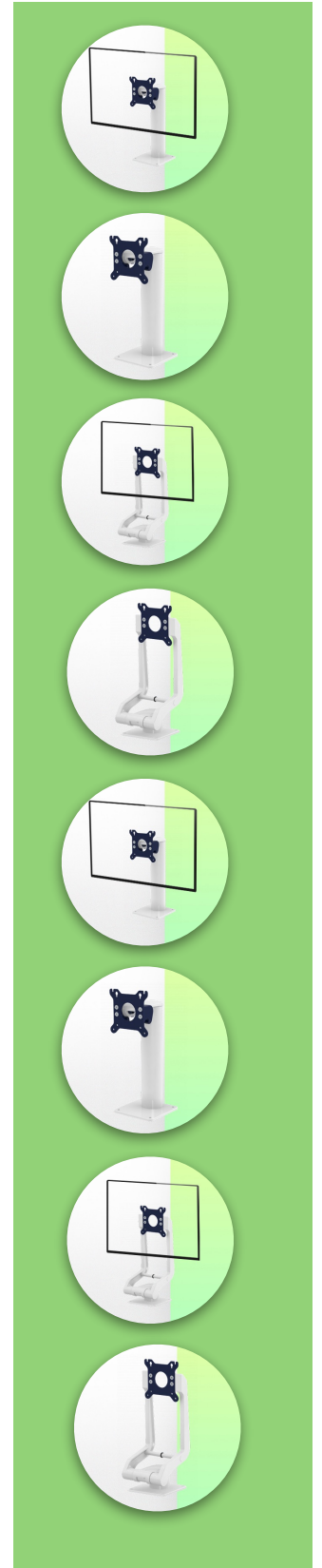
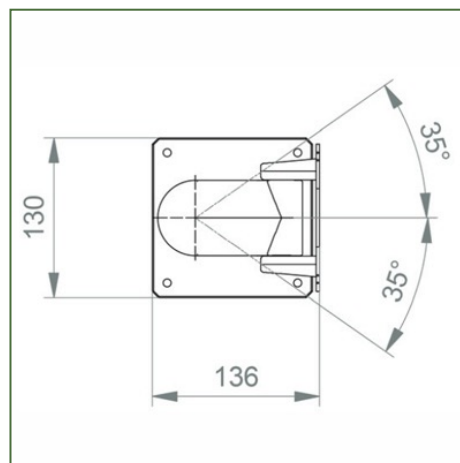
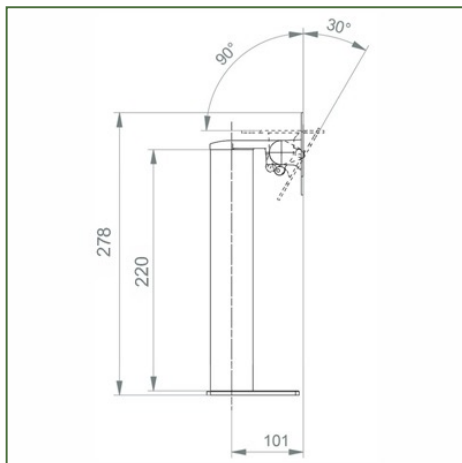
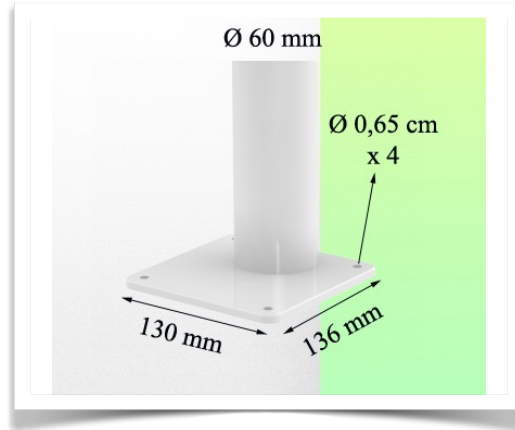
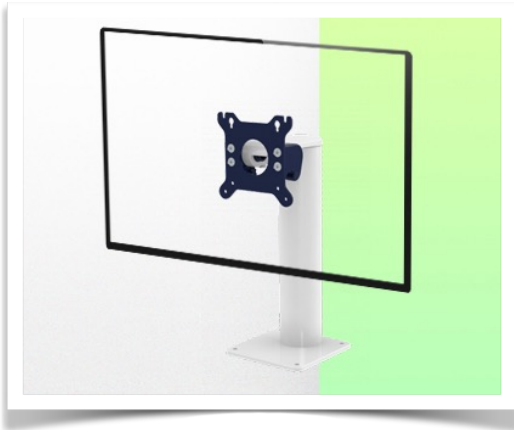
**Please note:** Please check the size of your screen and the available space of the stand in its height when ordering.



**Technical specifications**

**Part Number: WM 333.100**

**Medical stand for Vesa 75/100 mm screen to be fixed on worktop or medical trolley  
Height 220 mm**



**Monitor fitting:** VESA 75/100 mm

**Colour:** Decorative parts: RAL 5013 cobalt blue

**Screen compatibility:** Up to 26" depending on the exact size of your screen and the available space on the stand height

**Aluminium parts:** RAL 9016 traffic white

**Max. load capacity of the support arm:** 18 kg

**Product weight:** 1 Kg

**Product Highlights:**

Provides full screen integration and easy cleaning for infection control in all critical care areas of the clinical environment. Our 5-year warranty ensures reliable, trouble-free and maintenance-free operation. The swivel function at the point of attachment as well as the tilt and swivel function of the monitor adaptation offer optimal positioning of your device.