

Presentation

Part Number: WM 444.102

**Long Medical Arm adjustable in height from 700 + 930 mm, Ceiling mounting.
Supported weight of balance scale from 1 to 6 Kg.**



**Long Medical Arm adjustable in height from 700 + 930 mm, Ceiling mounting.
Supported weight of balance scale from 1 to 6 Kg.**

This Long Horizontal Medical Arm of 700 + 930 mm with gas lift height adjustment allows the LCD screen to be perfectly fixed, oriented and adjusted. It is coated with an anti-microbial agent offering hygiene and cleaning in every detail. Its modern design has been specially developed for healthcare environments.

This long reach medical arm is a solution when a long reach is required, it also improves the ergonomic working environment as it easily adapts to the person using it. This medical arm has a maximum horizontal reach of 1825 mm.

Mounted directly on the ceiling with its pole, this arm gives many possibilities to be moved around the patient's bed in hospitals so that patients and nurses and doctors can use it.

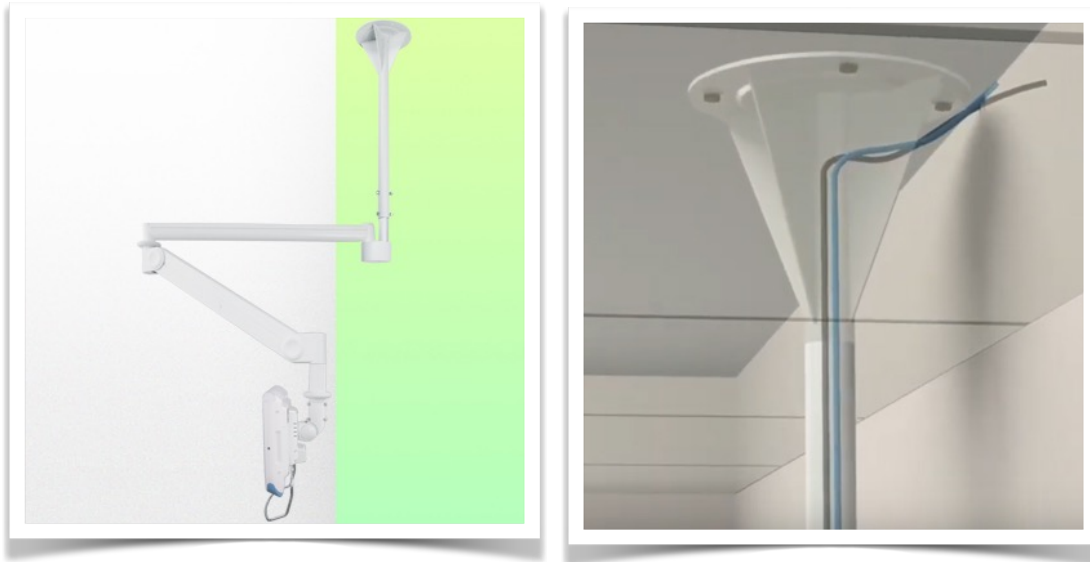
The mounted monitor can be rotated 370° and tilted 55° to allow optimal viewing of the angel for the user. It is easy to use, can be operated with one hand thanks to the handgrip design. All cables are routed through the arm thanks to the integrated cable management and it is therefore easy to clean and disinfect.



Presentation

Part Number: WM 444.102

**Long Medical Arm adjustable in height from 700 + 930 mm, Ceiling mounting.
Supported weight of balance scale from 1 to 6 Kg.**



This long medical arm has four bending points and is suitable for screens up to 24" (61 cm). The weight capacity of this arm is up to 6 kg. All installation materials are supplied with the arm as well as the installation manual. This long medical arm is an excellent choice for space saving or when wall or floor mounting is not an option. It has an automatic height adjustment safety mechanism, which allows the arm to remain in the selected position. Parallel mechanism for a constant viewing angle.

Technical specifications:

- * Integrated cable management
 - * The head of this arm complies with the display mounting standard: VESA MIS-D 75 mm and 100 mm.
 - * Compatible with screens weighing up to 1-6 Kg.
 - * Stability of the touch screen.
 - * Screen tilt: 40° down and 15° up
 - * Screen rotation: 370° * Arm rotation: 370°.
 - * Height adjustment: 60° down, 20° up
 - * Total length: 1825 mm
 - * Compatible with multimedia terminals (TMM)
 - * Carrying handle included
(optional keyboard support is possible)
 - * Ceiling mounting included.
- Supported weight of balance scale from 6 to 12 Kg. * Colour White
 * All our medical arms are CE, ROHS, Medical Grade, MDD 93/42 ECC compliant.
 * Product weight: 20 Kg
 * Warranty: 5 years

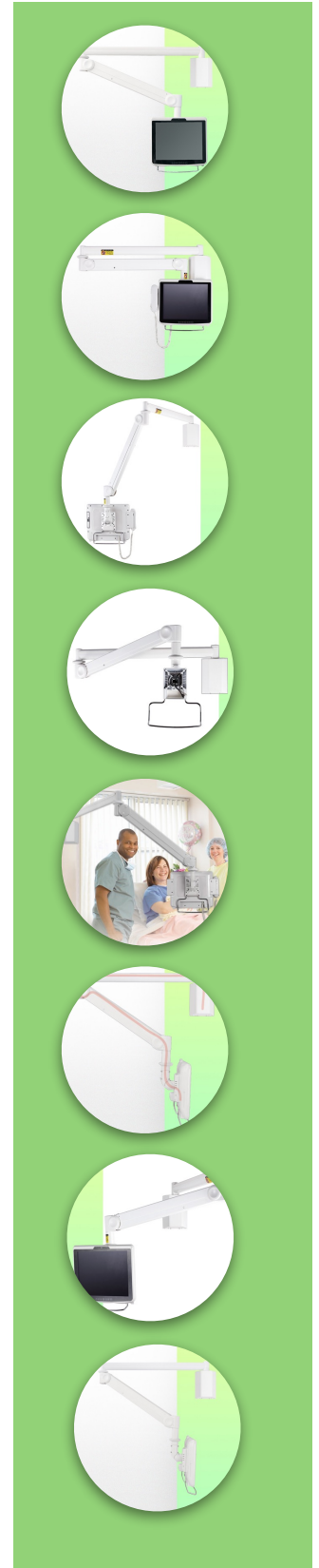
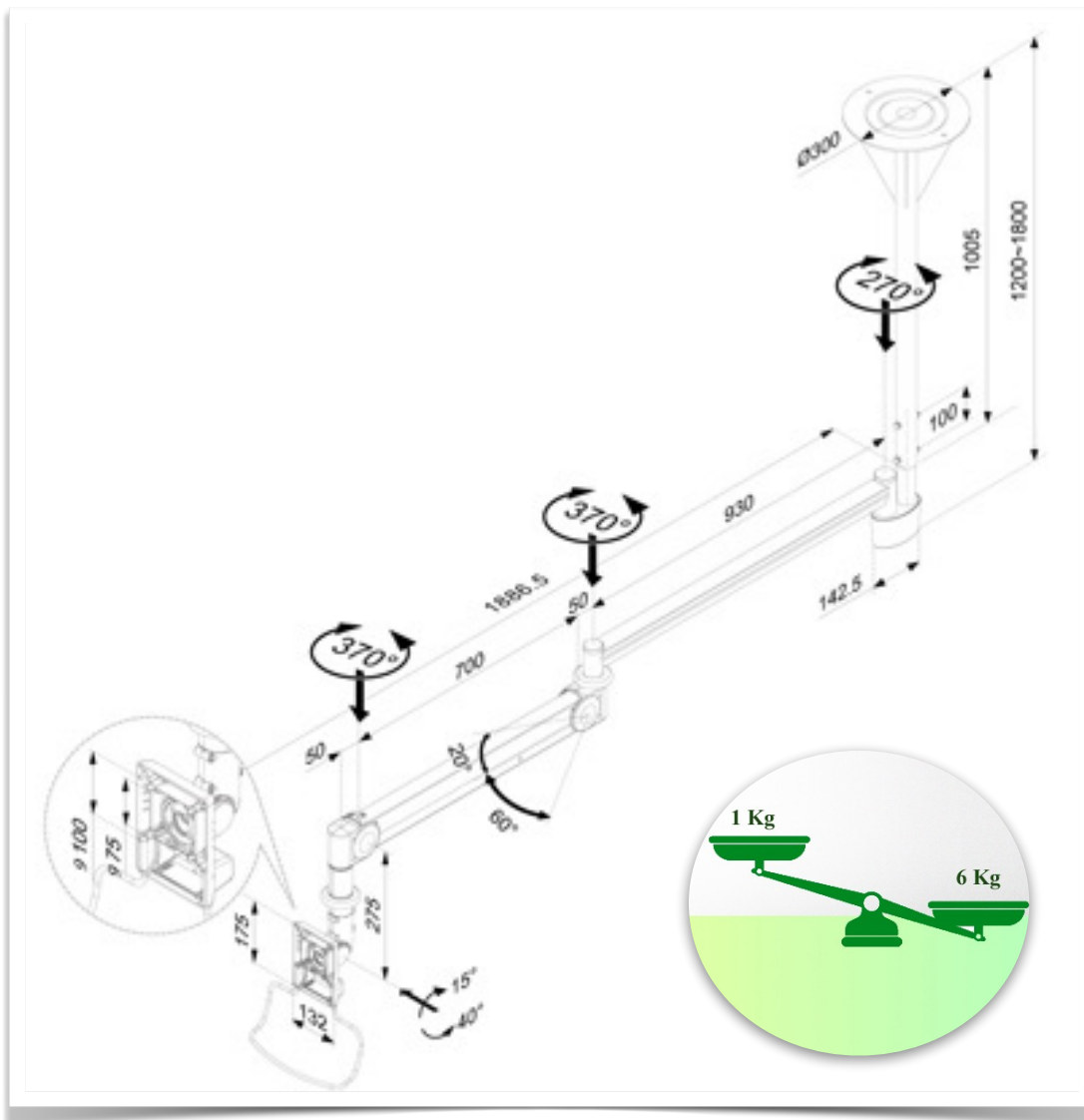


Presentation

Part Number: WM 444.102

**Long Medical Arm adjustable in height from 700 + 930 mm, Ceiling mounting.
Supported weight of balance scale from 1 to 6 Kg.**

This long medical arm consists of two parts, a fixed part with a length of 930 mm and a height adjustable arm of 700 mm. The head of the screen is VESA 75/100 mm compatible and allows a 40° front and 15° rear tilt. This head also houses the screen's carrying handle.



Presentation

Part Number: WM 444.102

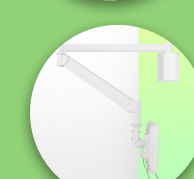
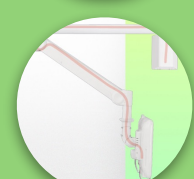
**Long Medical Arm adjustable in height from 700 + 930 mm, Ceiling mounting.
Supported weight of balance scale from 1 to 6 Kg.**



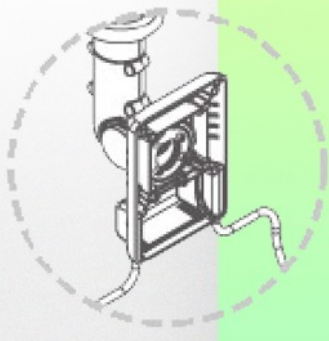
Presentation

Part Number: WM 444.102

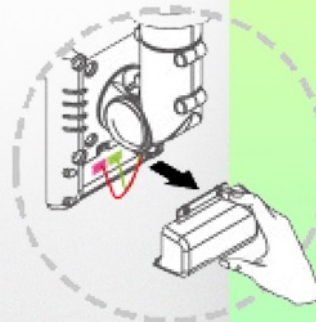
Long Medical Arm adjustable in height from 700 + 930 mm, Ceiling mounting.
Supported weight of balance scale from 1 to 6 Kg.



Universal VESA standard
Norme universelle VESA
Universele VESA-standaard
75x75mm en 100x100mm



Absolutely cable concealment
Dissimulation absolue des câbles
Absoluut kabel weggewerkt



Cable Management
Kabel Management
Gestion des câbles



Roll adjustment
Réglage du mouvement
Rol aanpassing

Presentation

Part Number: WM 444.102

**Long Medical Arm adjustable in height from 700 + 930 mm, Ceiling mounting.
Supported weight of balance scale from 1 to 6 Kg.**



**370° Swivel
370° Zwenken
Pivotement à 370°**



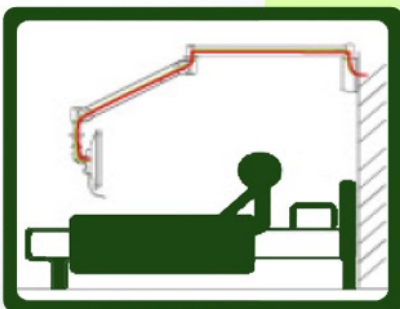
**Avoid bumps
Éviter les chocs
Chocs vermijden**



**Tilt adjustment
Kantelverstelling
Réglage de l'inclinaison**



**Height adjustable
Hauteur réglable
In hoogte verstelbaar**



**Hospital LCD/TV Monitor Arms
Bras pour moniteur LCD/TV pour hôpitaux
De Monitorarmen voor het ziekenhuis LCD/TV**



Presentation

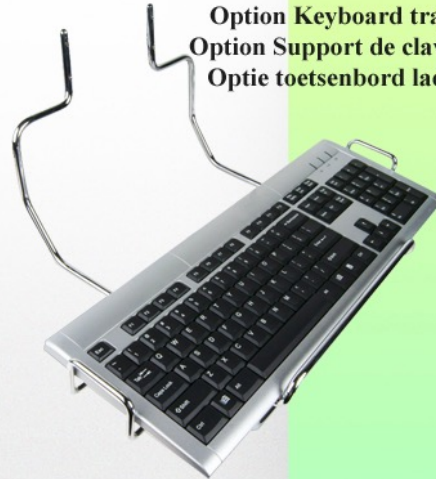
Part Number: WM 444.102

Long Medical Arm adjustable in height from 700 + 930 mm, Ceiling mounting.
Supported weight of balance scale from 1 to 6 Kg.

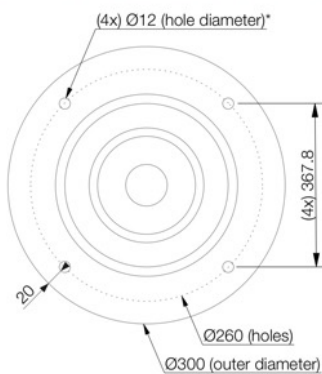
Option Keyboard tray
Option Support de clavier
Optie toetsenbord lade



Option Keyboard tray
Option Support de clavier
Optie toetsenbord lade

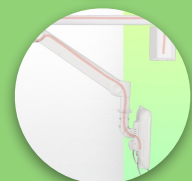
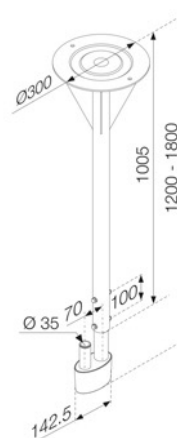


TOP VIEW - VUE DE DESSUS - BOVEN BEKIJKEN



*Recommended hole diameter for the roof: (4x) Ø12.7 x 60⁺²

SIDE VIEW - VUE DE CÔTE - ZIJAAZICHT



Presentation

Part Number: WM 444.102

**Long Medical Arm adjustable in height from 700 + 930 mm, Ceiling mounting.
Supported weight of balance scale from 1 to 6 Kg.**

