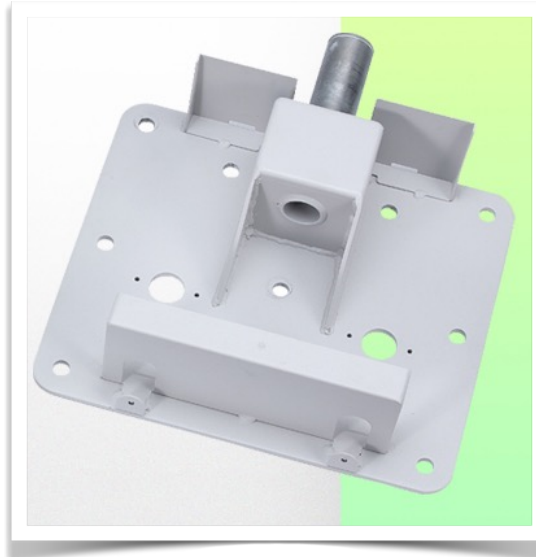


Presentation

Part Number: WM 444.105

Option Big Wall box for power supply compatible with long medical arms



This case, specifically designed for our long medical arms, provides storage for the monitor's power supply. It also serves as a wall mounting bracket for this arm.

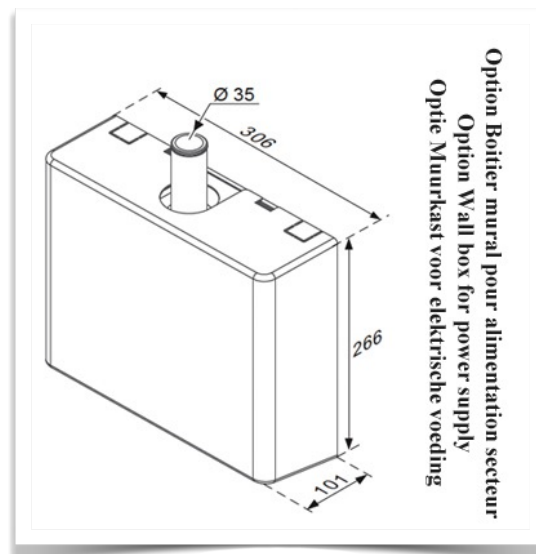
**Technical specifications:**

Size: 306 x 266 x 101 mm

Fits most power supplies

Colour White

Warranty: 5 years



Présentation

Part Number: WM 444.105

Option Wall box for power supply compatible with long medical arms



Option Boitier mural pour alimentation secteur  
Option Wall box for power supply  
Optie Muurkast voor elektrische voeding



Option Boitier mural pour alimentation secteur  
Option Wall box for power supply  
Optie Muurkast voor elektrische voeding