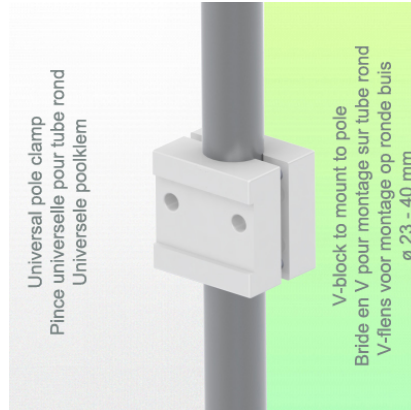
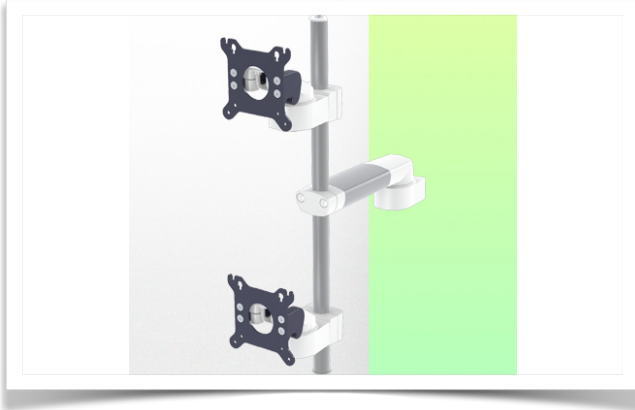


Presentation

Part Number: WM 998.846

Medical Arm 240 mm equipped with a pole for 2 screens, Mounting on 23 - 40 mm diameter variable pole



Medical Arm 240 mm equipped with a pole for 2 screens, Mounting on 23 - 40 mm diameter variable pole

This 240mm Horizontal Medical Arm with pole allows two LCD screens to be fixed, oriented and adjusted perfectly. It is coated with an anti-microbial agent to ensure hygiene and cleaning in every detail. Its modern design has been specially developed for healthcare environments.

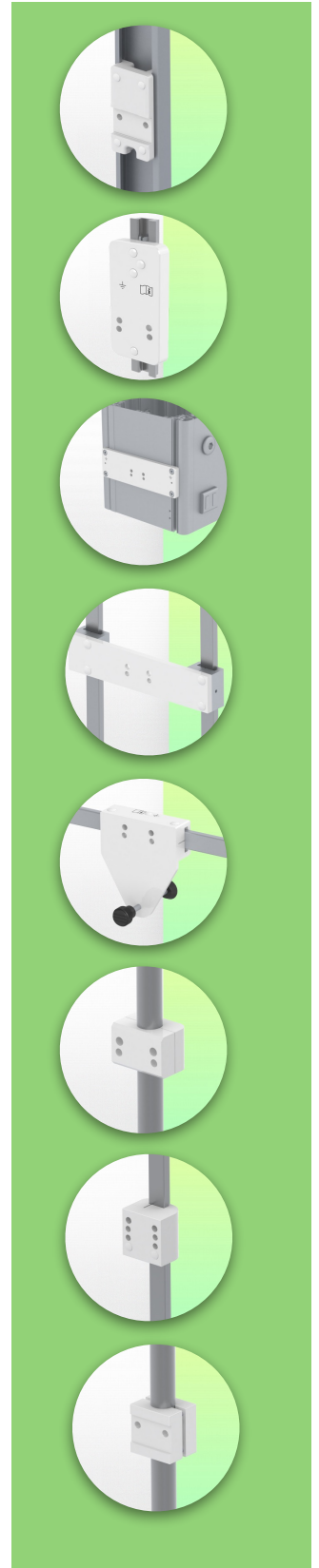
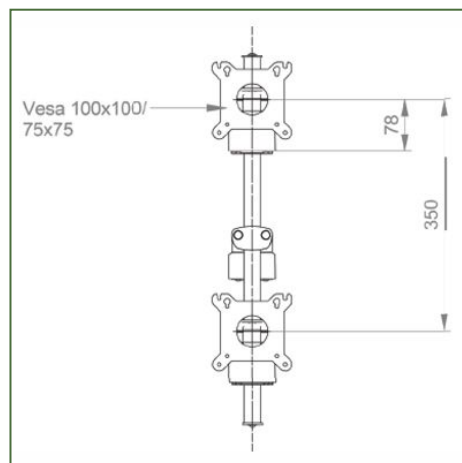
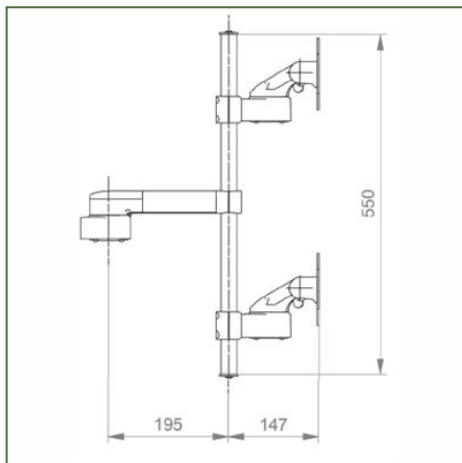
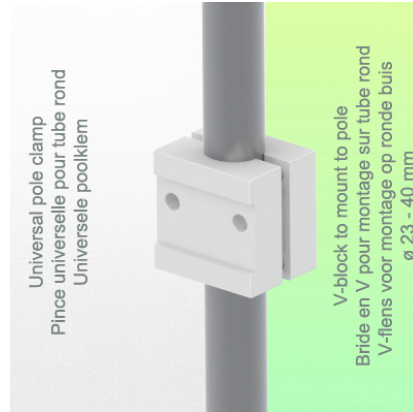
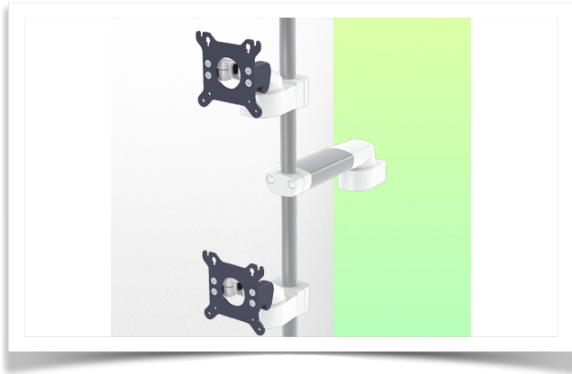
Technical specifications:

- * Integrated cable management
- * Fixed on a 23 - 40 mm variable pole, including fixing ring.
- * This medical arm simply attaches to a pole with a diameter of 25 mm and then adjusted to the desired height and fixed.
- * The ball joints comply with the standard for mounting screens: VESA MIS-D 75 mm and 100 mm.
- * Compatible with screens weighing up to 10 kg, i.e. 20 kg in total. 20 Kg in total. Touch screen stability.
- * Screen tilt: 20° down and 20° up
- * Screen rotation: 45° to the right, 45° to the left.
- * Arm rotation: 45° right, 45° left.
- * Total length 387 mm
- * Compatible with multimedia terminals (TMM)
- * Colour RAL 7024 (Graphite grey) and White
- * All our medical arms are in conformity with : CE, ROHS, Medical Grade, Regulations MDD 93/42 ECC.
- * **Warranty: 5 years**
- * **Please specify Pole diameter when ordering**

Technical Specifications

Part Number: WM 998.846

Medical Arm 240 mm equipped with a pole for 2 screens, Mounting on 23 - 40 mm diameter variable pole



Monitor adaptation: VESA 75/100 mm

Colour: Decorative parts: RAL 5013 cobalt blue Aluminium parts: RAL 9016 traffic white

Max. load capacity of the support arm: 2 x 10 kg

Monitor adaptation Max. load capacity: 2 x 10 8 Kg

Product weight: 6,8 Kg

Product highlights:

Non-height adjustable arm. The extended swivel arms and swivel arms provide full cable integration and easy cleaning for infection control in all ICU areas of the clinical environment. Our 5-year warranty guarantees reliable, trouble-free and maintenance-free operation. The swivel function at the attachment point as well as the tilt and swivel function of the monitor adapter provide optimal positioning of your device. The extended swing arm is a two-part arm with a central pivot point between the two sections of the arm. All bottom-mounted monitors have the safety function of a 20° tilt stop.

Mounting Information - Fixed pole clamp

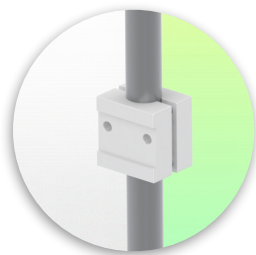
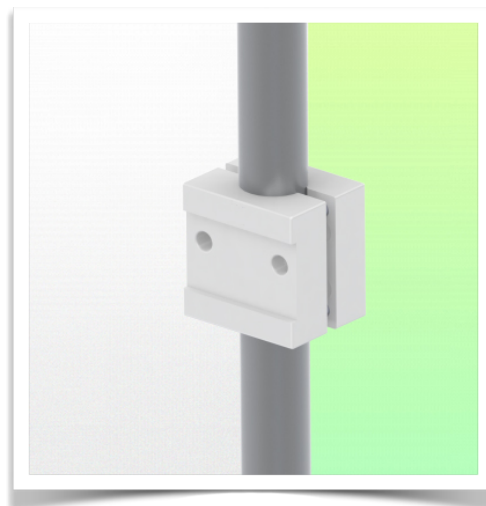
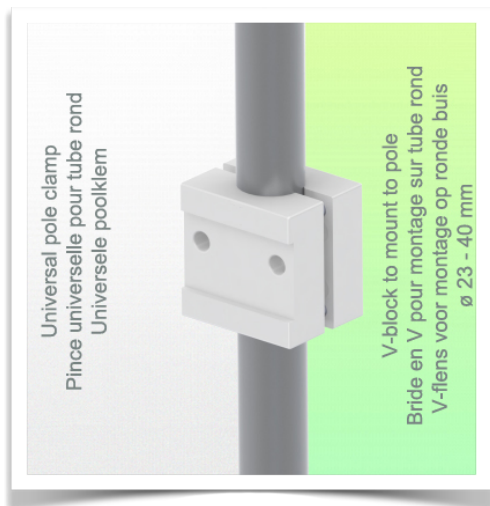
Part Number: WM 998.846

Medical Arm 240 mm equipped with a pole for 2 screens, Mounting on 23 - 40 mm diameter variable pole

Variable pole clamp:

To mount to pole \varnothing 23 - 40 mm variable pole

* Please specify the diameter of the Pole when ordering.



Mounting information - Mounting options

Part Number: WM 998.846

Medical Arm 240 mm equipped with a pole for 2 screens, Mounting on 23 - 40 mm diameter variable pole

Where do you want to mount the support arm?

At the hospital, there are different ways to fix our brackets: round tube, standard rail, wall rail or on an anaesthesia machine. We will always provide you with the adapter you need.



Adapter for vertical wall slide
For wall slide mounting



Adapter for Amico remote controls and wall panels



Adapter for Mindray medical power supply units



Double clamp for vertical standard rail
For mounting on two parallel vertical standard rails 10 x 25 mm



Fixed clamp for a standard rail
For mounting on a horizontal standard rail 10 x 25, 8 x 35, 10 x 30, 10 x 50 mm



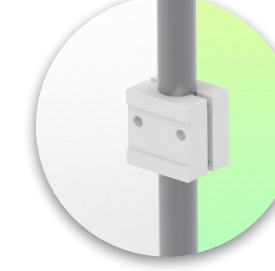
Fixed clamp for round tube
For mounting on round tube \varnothing 25, 35, 38 mm



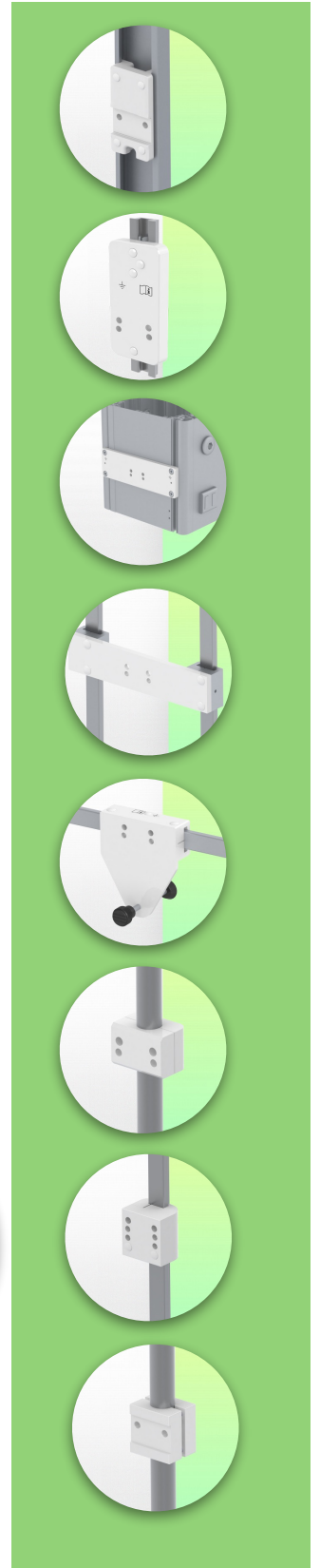
Adapter for Maquet anaesthesia machines
Cone Adapter for Model FLOW i



Adapter for Löwenstein anaesthesia machines
Medical Adapter for Leon / Leon plus



Universal round tube clamp
V-clamp for mounting on round tube \varnothing 23 - 40 mm



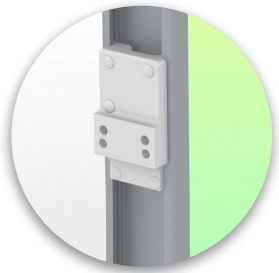
Mounting information - Mounting options

Part Number: WM 998.846

Medical Arm 240 mm equipped with a pole for 2 screens, Mounting on 23 - 40 mm diameter variable pole

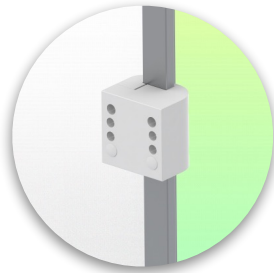
Where do you want to mount the support arm?

At the hospital, there are different ways to fix our brackets: round tube, standard rail, wall rail or on an anaesthesia machine. We will always provide you with the adapter you need.



Adapter for anaesthesia machine (all suppliers)

H 80 mm, with existing side rail



Clamp for a vertical standard rail

For mounting on standard rail 10 x 25 mm



Considered to be the world's best in advanced hygiene control, our medical mounting systems include cable integration, a 5-year maintenance-free warranty and medical grade compliance. We're simply the best in the world at what we do.



Compatible accessories for this mount

Part Number: WM 998.846

Medical Arm 240 mm equipped with a pole for 2 screens, Mounting on 23 - 40 mm diameter variable pole

Compatible accessories for this 2 x 300 mm Horizontal Arm

You can complete your installation with these additional accessories:



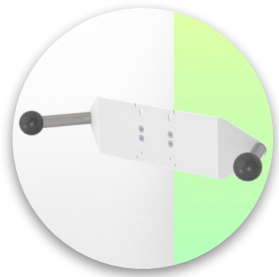
Triple hook for cable
For mounting on support arm



Double hook for cable
For mounting on support arm



Downward pole with cable hook
For mounting on support arm



Double handle with VESA mounting
For VESA monitors



Handle for VESA monitor support
For VESA monitors



Double hook for cable
For wall or column rail mounting



Triple hook for cable
For wall or column rail mounting



Basket
For wall or column rail mounting



Downward Pole
For mounting on support arm

